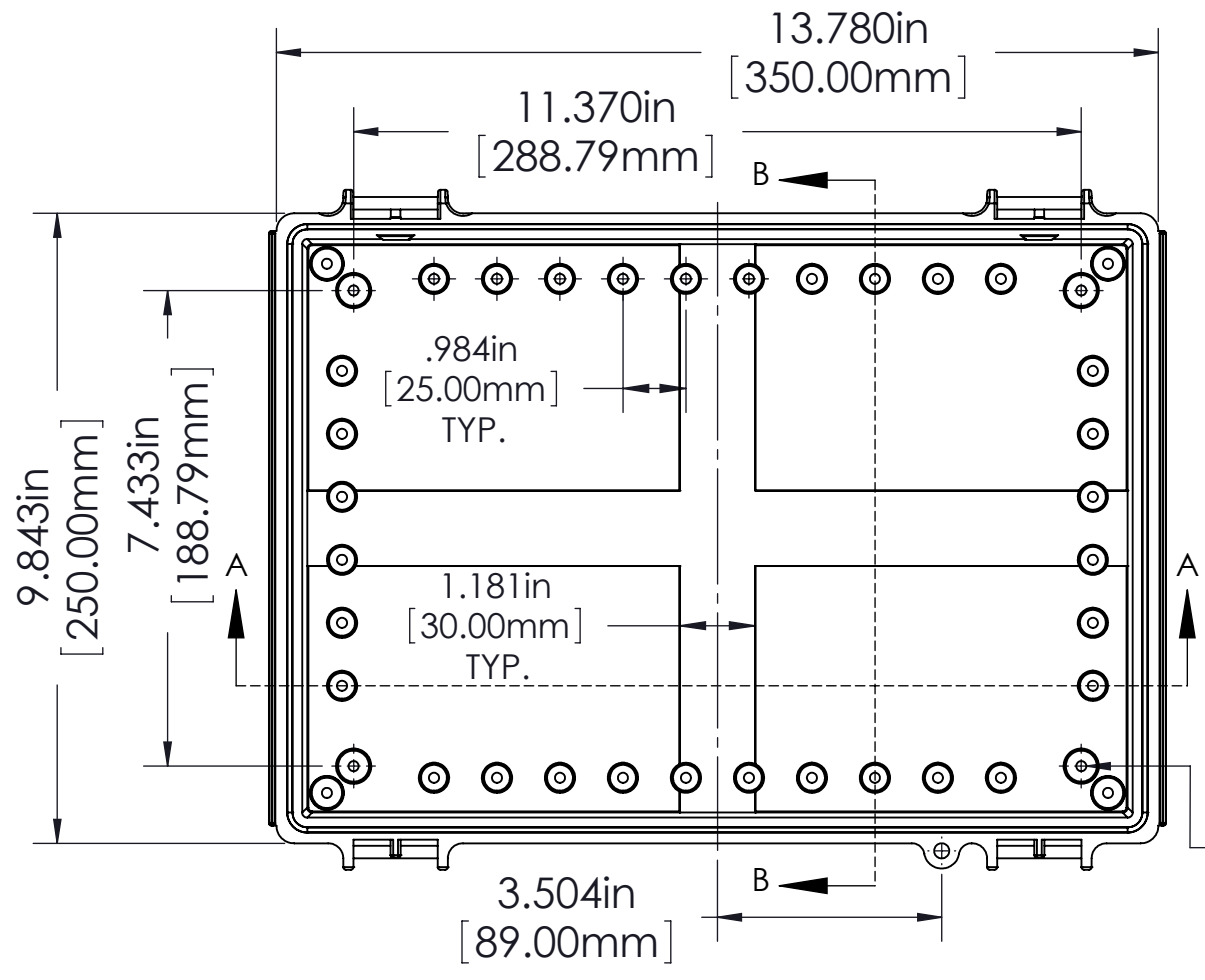


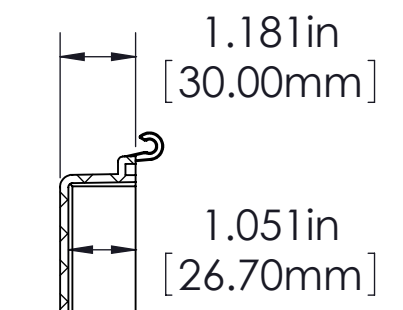
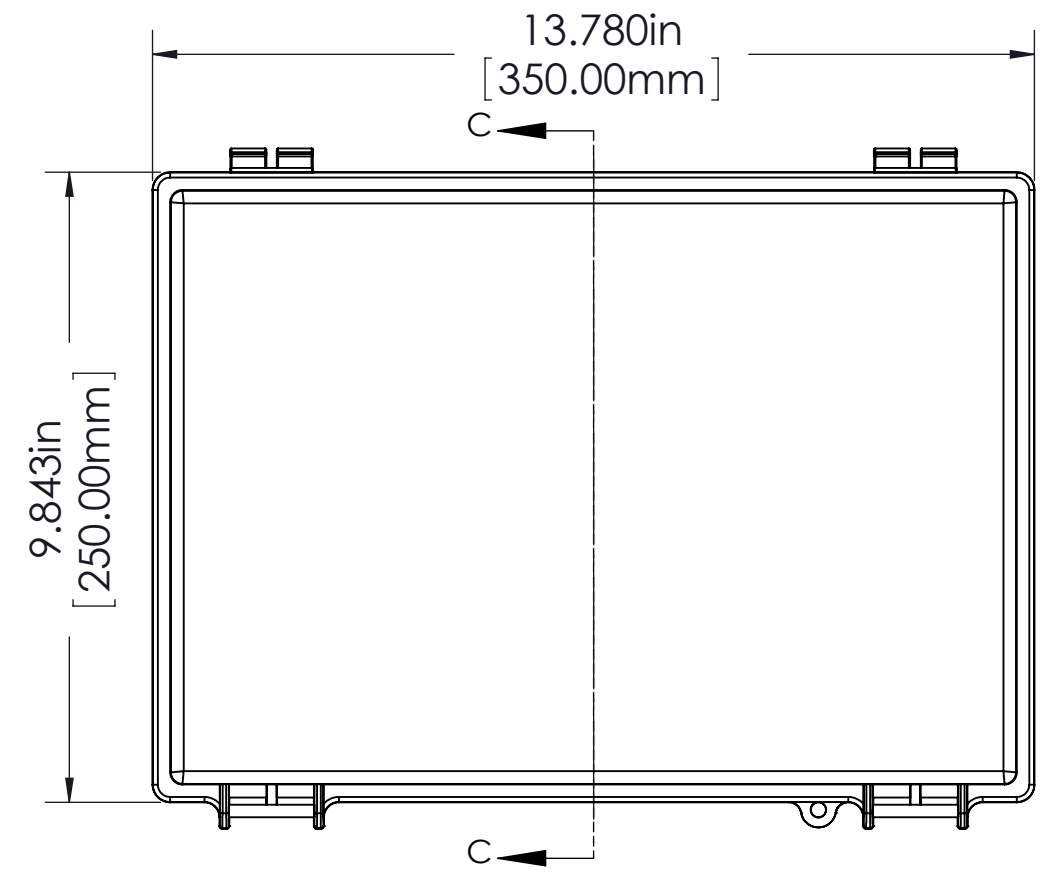
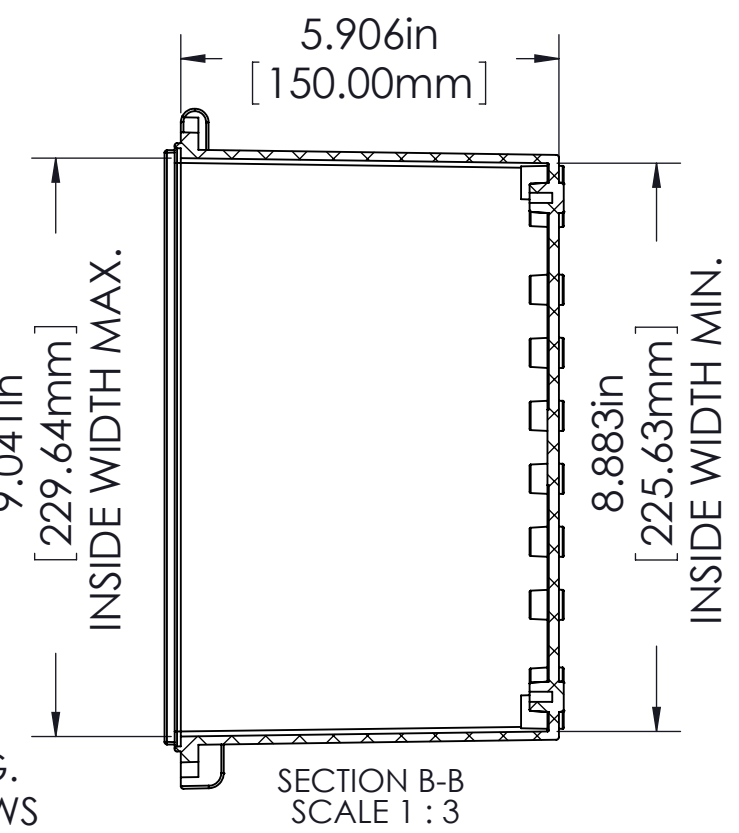
MATERIAL	FLAMMABILITY RATING	CONTINUOUS OPERATING TEMP.
ABS	UL94-HB	-40°C ~ +60°C / -40°F ~ 140°F
CLEAR PC	UL94-V0 UV STABILIZED	-40°C ~ +130°C / -40°F ~ 266°F
ABS / PC BLEND	UL94-5VA	-40°C ~ +85°C / -40°F ~ 185°F
PBT / PC BLEND	UL94-5VA + UV (f1)	-40°C ~ +75°C / -40°F ~ 167°F

FINISH:  
 BODY \_\_\_\_\_ LIGHT GRAY  
 COVER \_\_\_\_\_ LIGHT GRAY OR CLEAR  
 LATCHES & HINGES \_\_\_\_\_ PLASTIC  
 WALL MOUNTING BRACKETS\_\_ STAINLESS STEEL & HARDWARE

# COVER



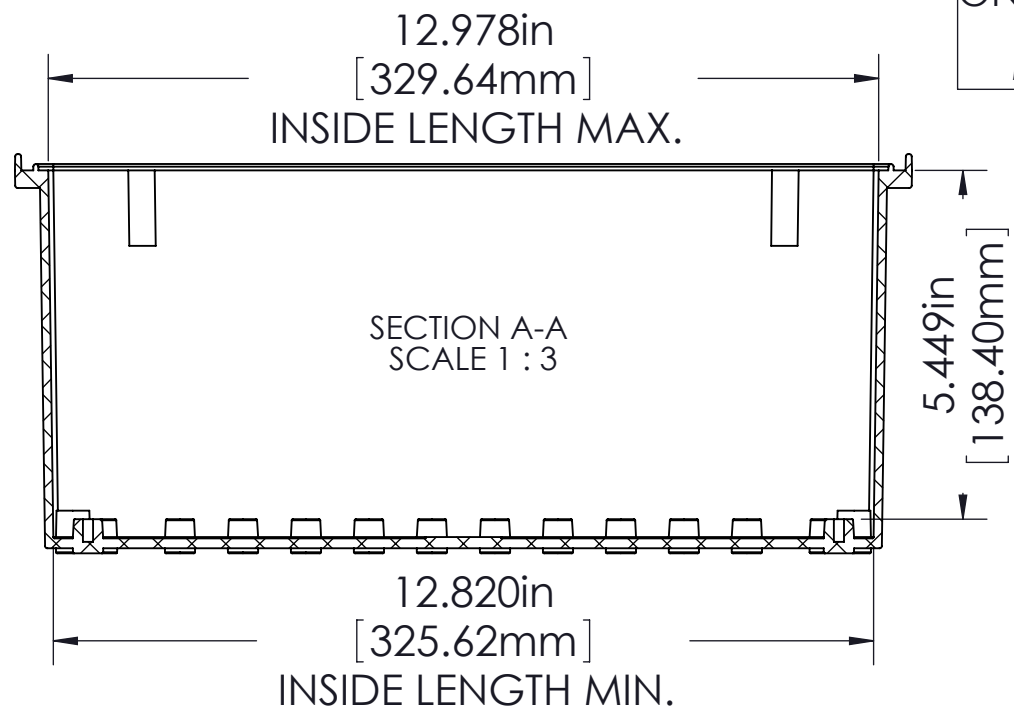
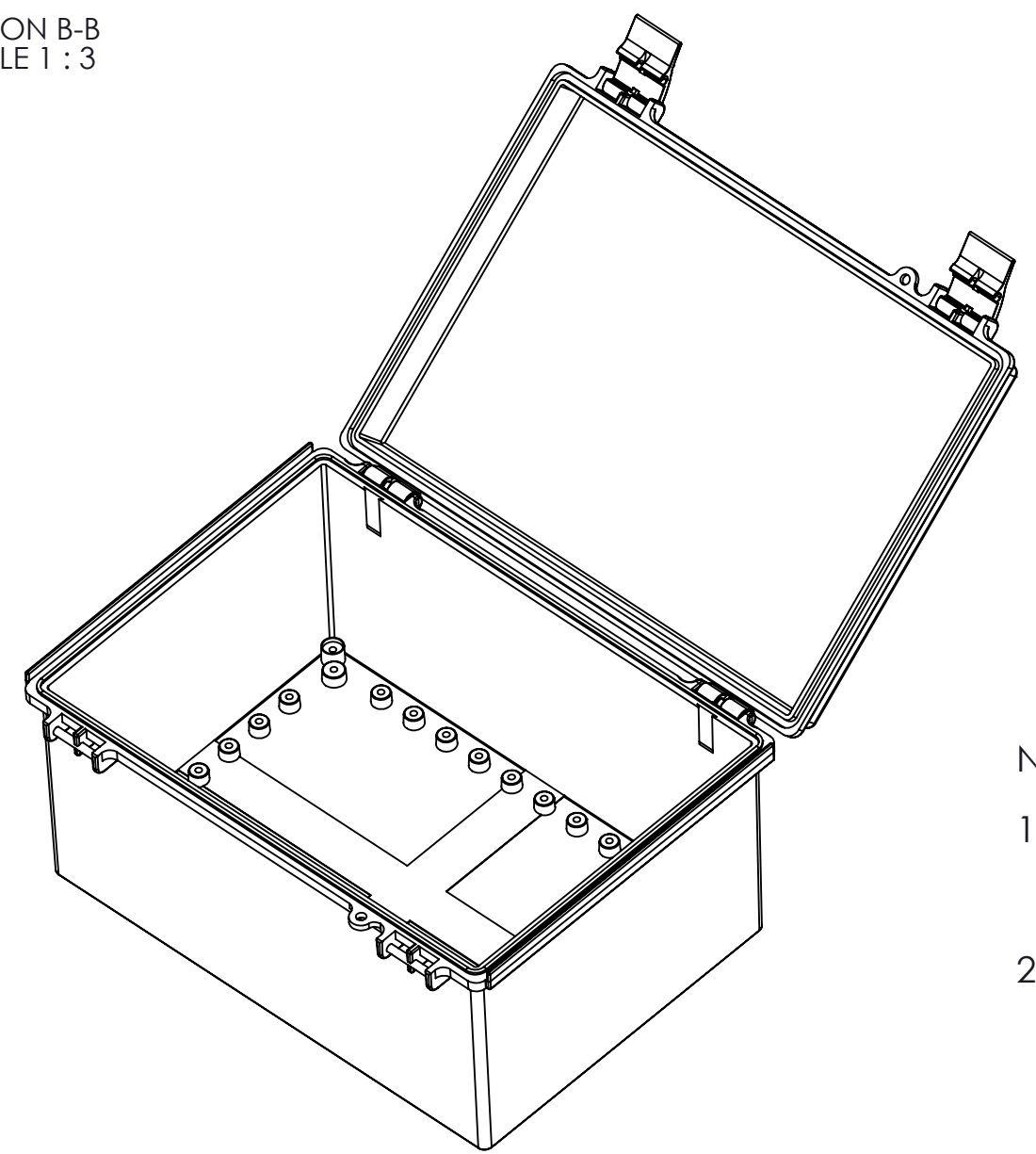
# BODY



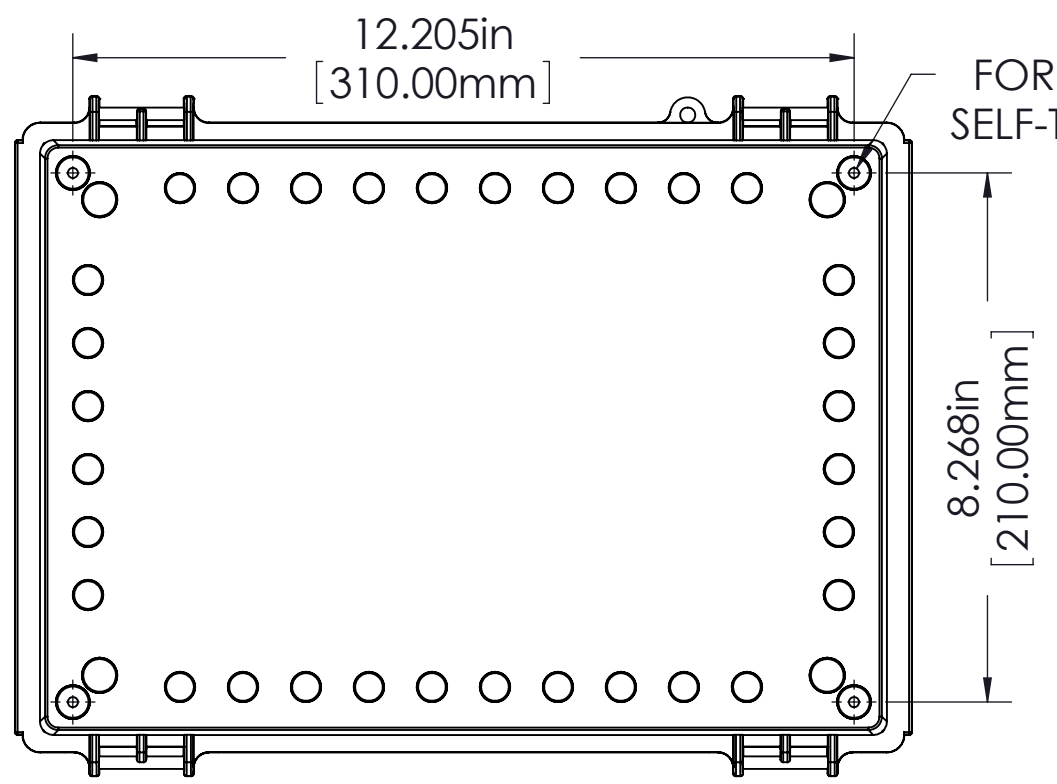
SECTION C-C  
SCALE 1 : 3

# ASSEMBLY

SCALE 1:4

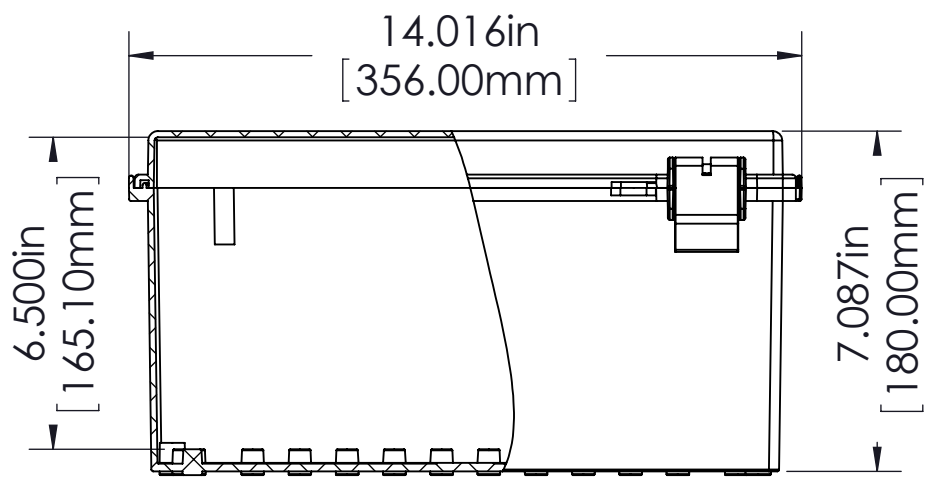


SECTION A-A  
SCALE 1 : 3



Ø.157in [4.00mm]  
 FOR M5 x 10mm LG. SELF-TAPPING SCREWS (ABS VERSIONS ONLY)  
 M5 THREADED INSERTS ON ALL OTHER VERSIONS  
 USE M5 x 8mm LG. MACHINE SCREWS.

Ø.157in [4.00mm]  
 FOR M5 x 10mm LG. SELF-TAPPING SCREWS  
 4 PLCS.



**NOTES:**

- 1) UNIT COMES COMPLETE WITH (4) WALL MOUNTING BRACKETS & (4) M5 x 10mm LG. SELF-TAPPING SCREWS. (NOT SHOWN)
- 2) BOXES DESIGNED TO MEET FOLLOWING STANDARDS: NEMA 1,2,4,4X, AND IEC529-IP65 REQUIREMENTS.

**TOLERANCE:**

ALL DIMENSIONS HAVE ±0.039in [±1mm] TOLERANCE UNLESS OTHERWISE SPECIFIED.

PART NO.	MATERIAL		USE
	BODY	COVER	
NBF-32024	ABS	ABS	INDOOR
NBF-32124	ABS / PC	ABS / PC	INDOOR
NBF-32224	ABS / PC	CLEAR PC	INDOOR
NBF-32324	PBT / PC	PBT / PC	OUTDOOR
NBF-32424	PBT / PC	CLEAR PC	OUTDOOR